

Name	Security Level
BELLSING™ Hornet Series AMBA Receiver	Open
Version	A Total of 4 Pages
REV A	

BTC305C10012

Product Data Sheet

Prepared by: Zoe Wang Date: 2019-07-23
Auditor: _____ Date: _____
Approver: _____ Date: _____



Shenzhen Bellsing Acoustic Tech. Co., Ltd.

BTC305C10012 AMBA receiver

1.1 Description

Advanced Miniature balanced-armature (AMBA) receiver. This transducer only can be used in consumer electronics.

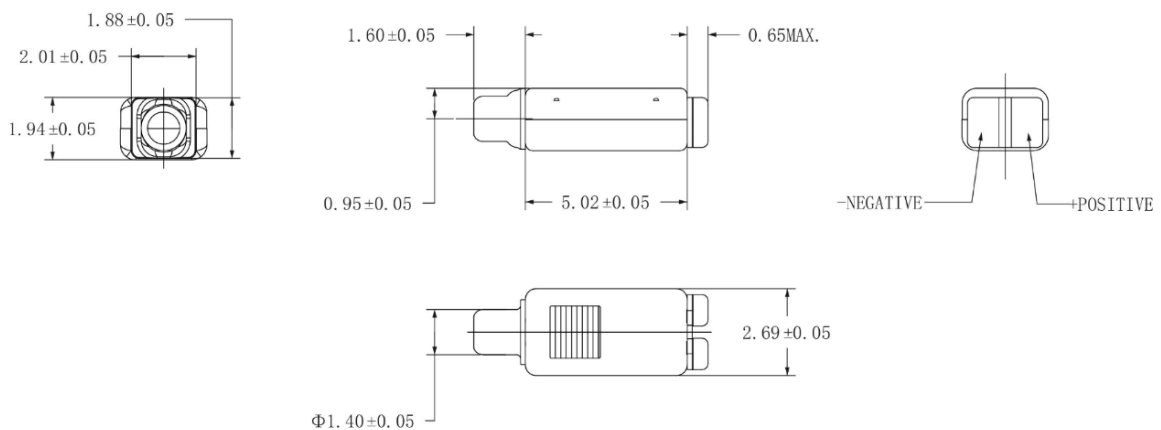
Name:	Hornet Series AMBA Receiver
Part Number:	BTC305C10012 REV A

1.2 Construction Specification



Weight: 0.09 g

Mechanical dimension: please refer to the drawing below



*A positive voltage applied to the negative terminal (-) will result in an increase in pressure at the sound outlet.

1.3 Features&Benefits

- Perfect package size for headset applications
- Ideal choice of tweeter
- Outstanding efficiency
- Substantial maximum output

1.4 Electro-acoustic Specifications

Test condition

- Acoustic tubing: 10.0 mm of 1.0 mm diameter tubing
- Acoustic coupler: IEC711 coupler
- Constant voltage drive: 0.094 V RMS
- Environment: 23 °C, RH 50%

Acoustic Parameter I

Test Item		Nominal	Tolerance	Comments
Sensitivity(dB)	@ 200Hz	93.0	+/- 3.0	
	@ 500Hz	93.0	+/- 3.0	
	@ 1000Hz	94.5	+/- 3.0	
Peak 1	Frequency (Hz)	4000	+/- 350	
	SPL (dB)	115.5	+/- 3.0	
Peak 2	Frequency (Hz)	6700	+/- 500	
	SPL (dB)	114	+/- 3.0	
Maximum output @ peak frequency (dB)		125.0	N/A	THD<10%

Acoustic Parameter II

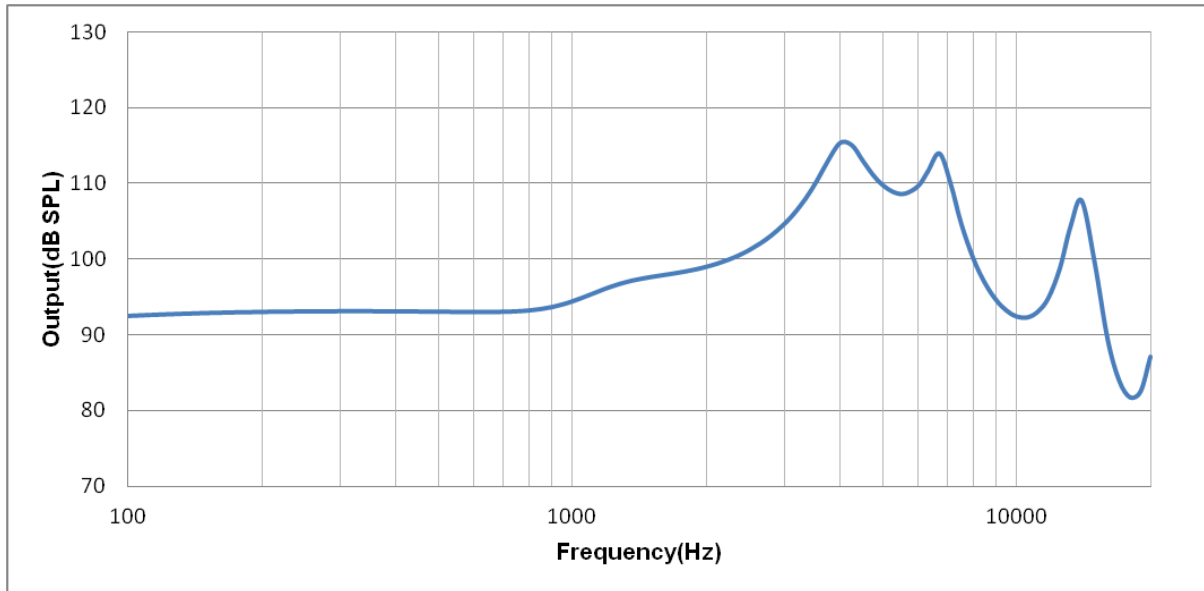
Test Item		Nominal	Comments
THD (%)	@ 1/2 1st peak	< 5.0	
	@ 1/3 1st peak	< 5.0	

Electric Parameter

Test Item	Nominal	Tolerance	Comments
-----------	---------	-----------	----------

Impedance (ohm)	@ 500Hz	13.5	+/- 15%	
	@ 1000Hz	14	+/- 15%	
DCR (ohm)		12.5	+/- 10%	

Nominal Frequency Response Curve



1.5 Package and Storage Condition

- Package: PET bubble pack, 1 pcs per bubble, 100 pcs per pack
- Storage temperature range: -40°C ~ 60°C
- Storage humidity range: <60%