

Name	Security Level
BELLSING™ Hornet Series AMBA Receiver	Open
Version	A Total of 4 Pages
REV X.1	

BRC730H90025

Product Data Sheet

Prepared by: _____ Zoe	Date: _____ 2019-2-19
Auditor: _____	Date: _____
Approver: _____	Date: _____



Shenzhen Bellsing Acoustic Tech. Co., Ltd.

BRC730H90025 AMBA receiver

1.1 Description

Miniature balanced-armature receiver with best vibration performance for use in high end hearing aid instruments with great response. Also plays an excellent role as woofer in in-ear monitors and other commercial hearing products.

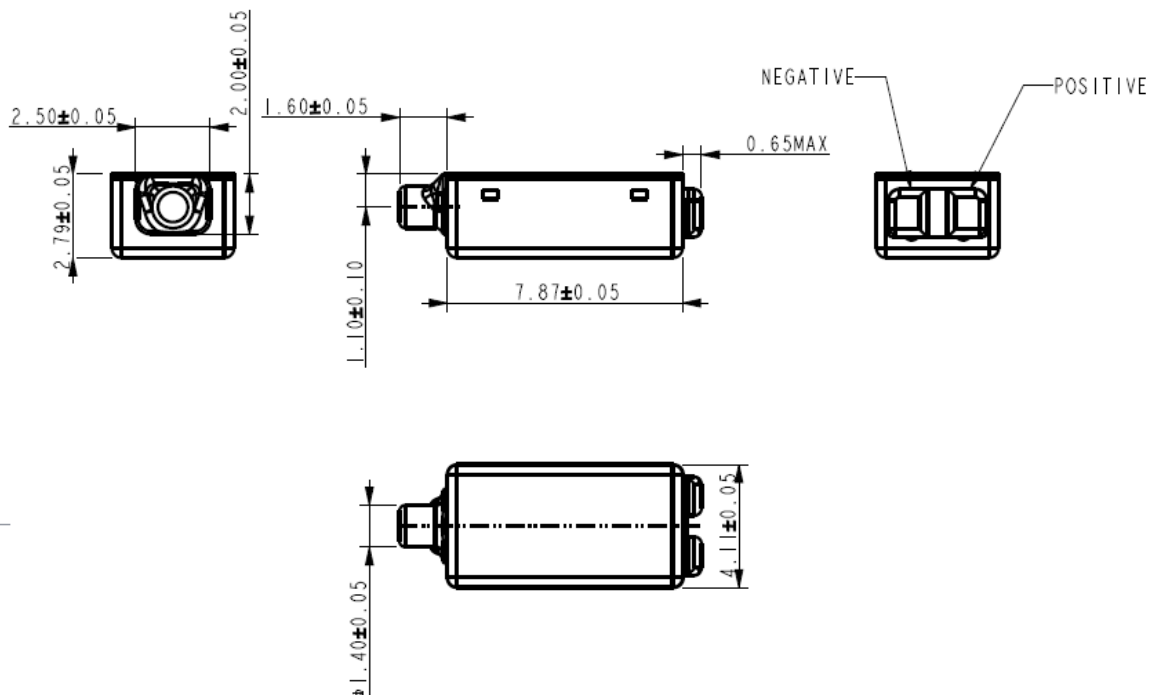
Name:	Hornet Series AMBA Receiver
Part Number:	BRC730H90025 REV X.1

1.2 Construction Specification



Weight: 0.31 g

Mechanical dimension: please refer to the drawing below



*A positive voltage applied to the negative terminal (-) will result in an increase in pressure at the sound outlet.

1.3 Features & Benefits

- Perfect package size for BTE, headset applications
- Outstanding efficiency
- Substantial maximum output
- Magnetic-radiation shielded
- Optimized mechanical shock resistance

1.4 Electro-acoustic Specifications

Test condition

- Acoustic tubing: BTE tubing
- Acoustic coupler: 2CC coupler
- Constant voltage drive: 0.110V RMS
- Environment: 23°C, RH 50%

Acoustic Parameter I

Test Item		Nominal	Tolerance	Comments
Sensitivity(dB)	@100Hz	105.5	+/- 3.0	
	@200Hz	105.5	+/- 3.0	
	@500Hz	106	+/- 3.0	
Peak1	Frequency (Hz)	1150	+/- 350	
	SPL(dB)	117.5	+/- 3.0	
Peak2	Frequency (Hz)	2240	+/- 350	
	SPL(dB)	113.5	+/- 3.0	
Peak3	Frequency (Hz)	3450	+/- 350	
	SPL(dB)	112	+/- 3.0	
Peak4	Frequency (Hz)	4500	+/- 350	
	SPL(dB)	106.5	+/- 3.0	
Peak5	Frequency (Hz)	5600	+/- 350	
	SPL(dB)	102	+/- 3.0	
Maximum output@Peak frequency (dB)		N/A	N/A	THD<10%

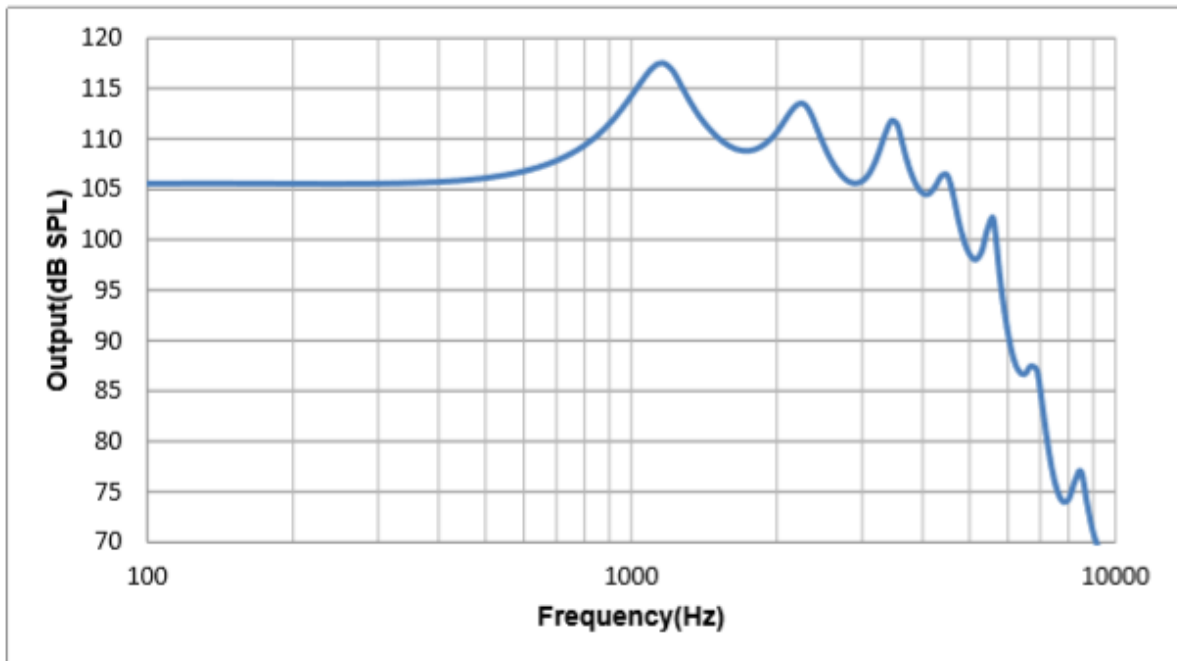
Acoustic Parameter II

Test Item		Nominal	Comments
THD(%)	@1/2 1 st peak	<5.0	
	@1/3 1 st peak	<5.0	

Electric Parameter

Test Item		Nominal	Tolerance	Comments
Impedance(Ω)	@500Hz	32	+/- 15%	
	@1000Hz	59	+/- 15%	
DCR(Ω)		25	+/- 10%	

Nominal Frequency Response Curve



1.5 Package and Storage Condition

- Package: PET bubble pack, 1 pcs per bubble, 100 pcs per pack
- Storage temperature range: -40°C ~ 60°C
- Storage humidity range: <60%