

Name	Security Level
BELLSING™ BRC260 Series AMBA Receiver	Open
Version	A Total of 4 Pages
REV B	

BRC260C10021

Product Data Sheet

Prepared by: <u>Seven.zou</u>	Date: <u>2019-09-19</u>
Auditor: _____	Date: _____
Approver: _____	Date: _____



Shenzhen Bellsing Acoustic Tech. Co., Ltd.

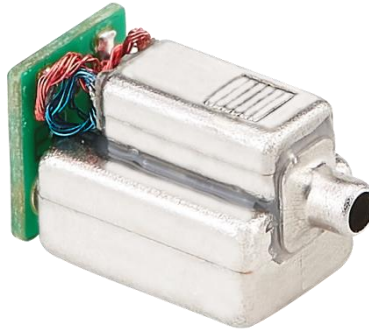
BRC260C10021 AMBA receiver

1.1 Description

Dual advanced miniature balanced-armature receiver with magnetic-radiation shielding for use in in-ear monitor and headset applications with standard response. This transducer can also play an excellent role as a tweeter driver in commercial hearing products.

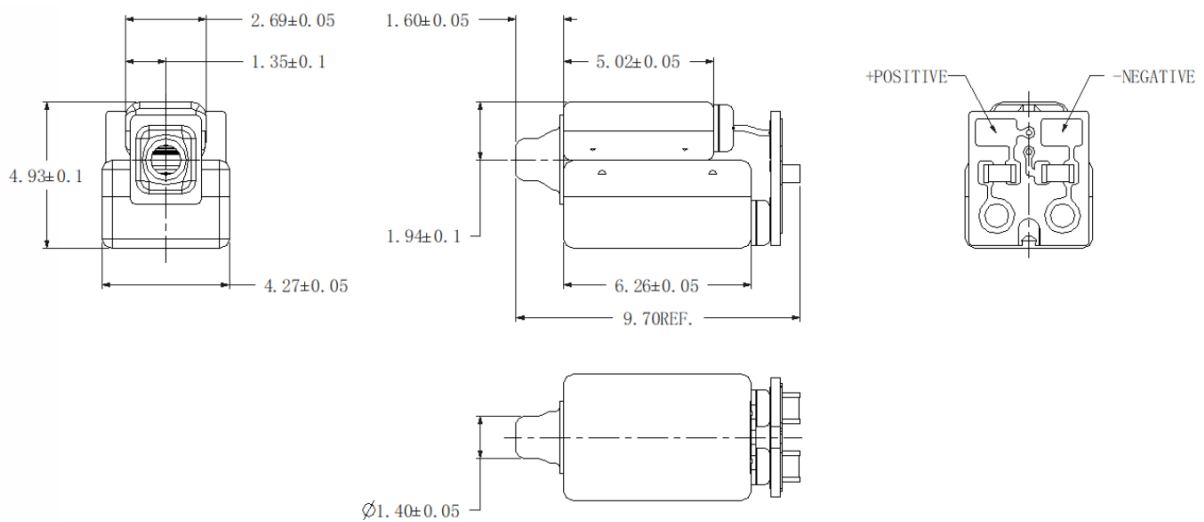
Name:	BRC260 Series AMBA Receiver
Part Number:	BRC260C10021 REV A

1.2 Construction Specification



Weight: 0.6 g

Mechanical dimension: please refer to the drawing below



*A positive voltage applied to the negative terminal (-) will result in an increase in pressure at the sound outlet.

1.3 Features & Benefits

- A two-way balanced armature system with added low frequency headroom
- Designed for pro-audio/in-ear application
- Enables customized cross-over response to achieve target frequency response
- Outstanding efficiency
- Substantial maximum output
- Magnetic-radiation shielded
- Optimized mechanical shock resistance

1.4 Electro-acoustic Specifications

Test condition

- Acoustic tubing: 10.0mm of 1.0mm diameter tubing
- Acoustic coupler: IEC711 coupler
- Constant voltage drive: 0.101V RMS
- Environment: 23°C, RH 50%

Acoustic Parameter I

Test Item		Nominal	Tolerance	Comments
Sensitivity(dB)	@200Hz	115	+/- 3.0	
	@500Hz	112.5	+/- 3.0	
	@1000Hz	111.5	+/- 3.0	
Peak1	Frequency (Hz)	2000	+/- 350	
	SPL(dB)	119	+/- 3.0	
Peak2	Frequency (Hz)	5300	+/- 500	
	SPL(dB)	114.5	+/- 3.0	
Maximum output @ Peak frequency (dB)		N/A	N/A	THD<10%

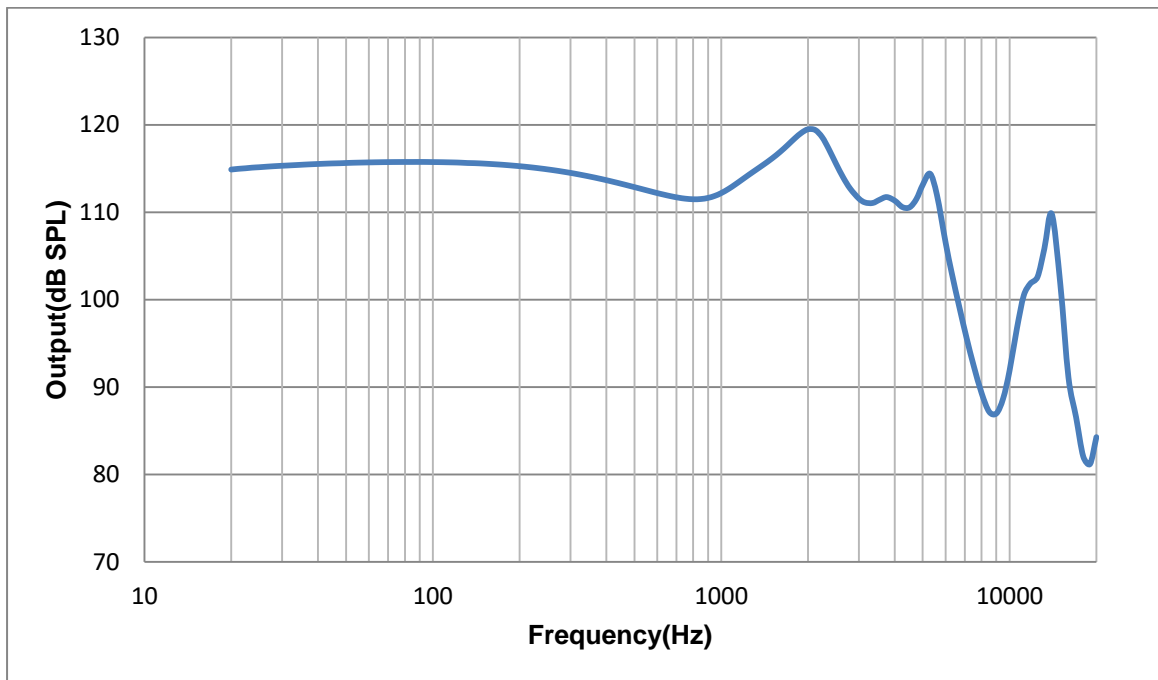
Acoustic Parameter II

Test Item		Nominal	Comments
THD(%)	@1/2 1 st peak	<5.0	
	@1/3 1 st peak	<5.0	

Electric Parameter

Test Item	Nominal	Tolerance	Comments
Impedance(Ω)	@500Hz	20.5	+/- 15%
	@1000Hz	41.5	+/- 15%
DCR(Ω)	12	+/- 10%	

Nominal Frequency Response Curve



1.5 Package and Storage Condition

- Package: PET bubble pack, 1 pcs per bubble, 100 pcs per pack
- Storage temperature range: -40°C ~ 60°C
- Storage humidity range: <60%