

BRC215C90012 AMBA receiver

1.1 Description

Dual advanced miniature balanced-armature receiver with magnetic-radiation shielding for use in in-ear monitor and headset applications with standard response. This transducer can also play an excellent role as a tweeter driver in commercial hearing products..

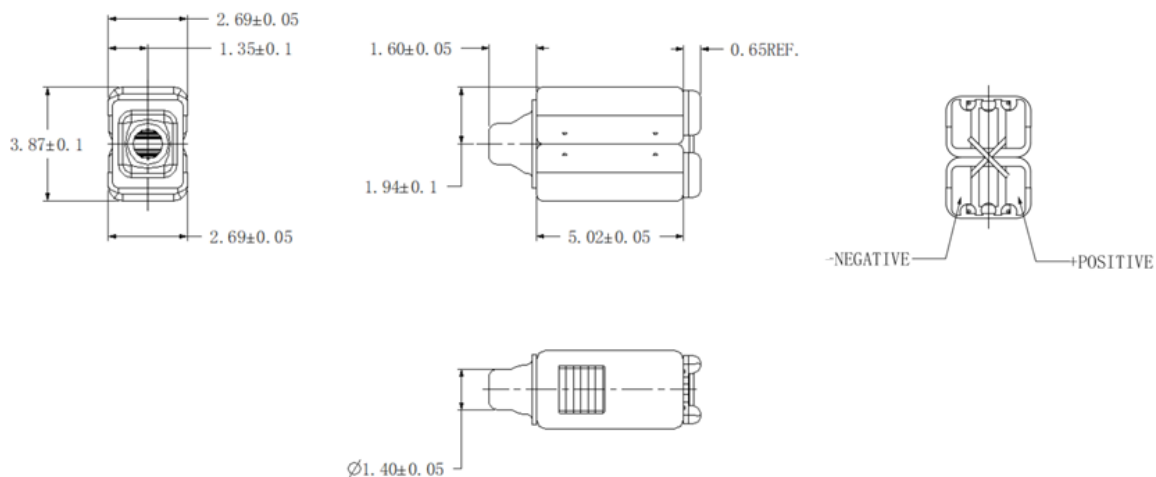
Name:	Hornet Series AMBA Receiver
Part Number:	BRC215C90012 REV A

1.2 Construction Specification



Weight: 0.19 g

Mechanical dimension: please refer to the drawing below



*A positive voltage applied to the negative terminal (-) will result in an increase in pressure at the sound outlet.

1.3 Features & Benefits

- Dual AMBA receiver used for headset applications
- Outstanding efficiency
- Substantial maximum output
- Magnetic-radiation shielded
- Optimized mechanical shock resistance

1.4 Electro-acoustic Specifications

Test condition

- Acoustic tubing: 10.0mm of 1.0mm diameter tubing
- Acoustic coupler: IEC711 coupler
- Constant voltage drive: 0.085V RMS
- Environment: 23°C, RH 50%

Acoustic Parameter I

Test Item		Nominal	Tolerance	Comments
Sensitivity(dB)	@200Hz	105.0	+/- 3.0	
	@500Hz	104.5	+/- 3.0	
	@1000Hz	105.0	+/- 3.0	
Peak1	Frequency (Hz)	2800	+/- 350	
	SPL(dB)	117.5	+/- 3.0	
Peak2	Frequency (Hz)	5600	+/- 500	
	SPL(dB)	112	+/- 3.0	
Maximum output@Peak frequency (dB)		123.5	N/A	THD<10%

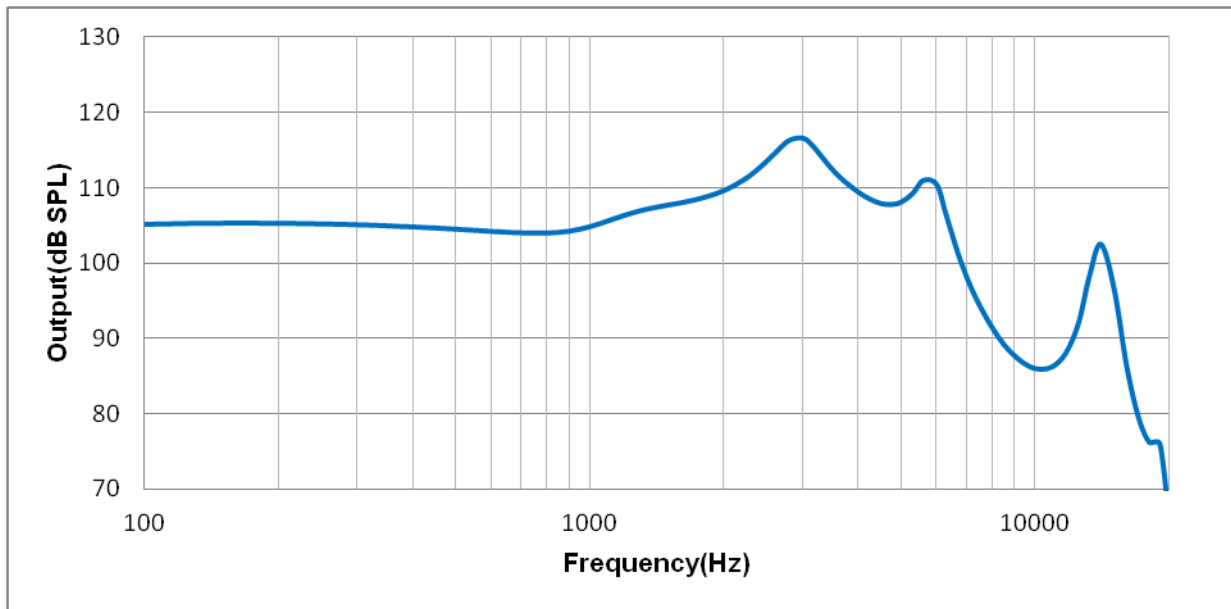
Acoustic Parameter II

Test Item		Nominal	Comments
THD(%)	@1/2 1 st peak	<5.0	
	@1/3 1 st peak	<5.0	
	@500Hz	<5.0	

Electric Parameter

Test Item	Nominal	Tolerance	Comments
Impedance(Ω)	@500Hz	14	+/- 15%
	@1000Hz	17.5	+/- 15%
DCR(Ω)	12.5	+/- 10%	

Nominal Frequency Response Curve



1.5 Package and Storage Condition

- Package: PET bubble pack, 1 pcs per bubble, 100 pcs per pack
- Storage temperature range: -40°C ~ 60°C
- Storage humidity range: <60%