



## BRC231C91011 AMBA receiver

### 1.1 Description

Advanced Miniature balanced-armature (AMBA) receiver with magnetic-radiation shielding for use in ITE (In The Ear) , CIC (Complete In the Canal) and IIC (Invisible In the Canal) & In-ear Monitor applications with standard response. This transducer can also play an excellent role in commercial hearing products, TWS applications.

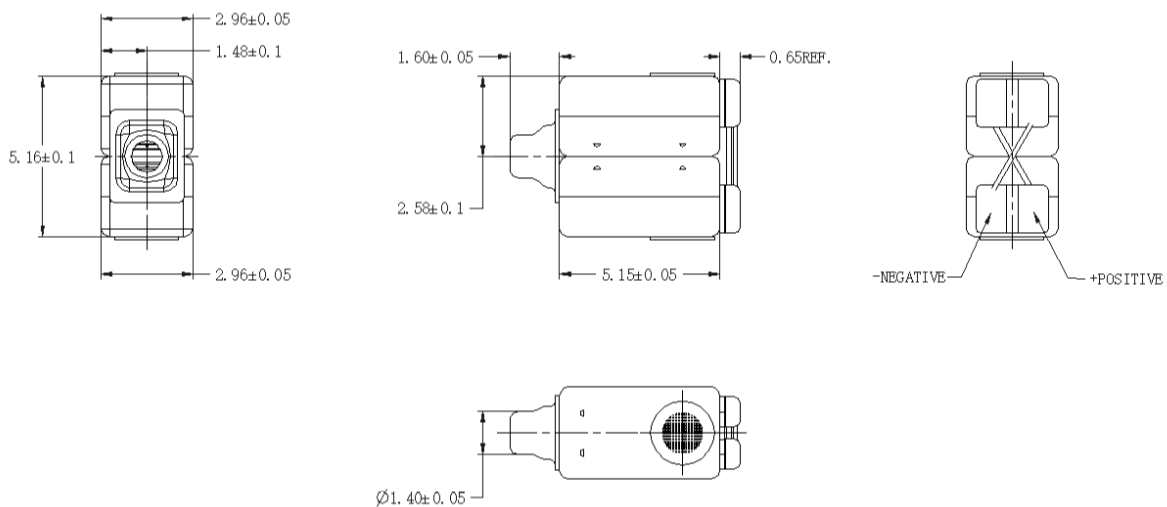
Name:	Hornet Series AMBA Receiver
Part Number:	BRC231C91011 REV A

### 1.2 Construction Specification



Weight: 0.16 g

Mechanical dimension: please refer to the drawing below



\*A positive voltage applied to the negative terminal (-) will result in an increase in pressure at the sound outlet.

### 1.3 Features & Benefits

- Perfect package size for ITE, CIC, IIC & headset, TWS applications
- Outstanding efficiency
- Substantial maximum output
- Magnetic-radiation shielded
- Optimized mechanical shock resistance

### 1.4 Electro-acoustic Specifications

#### Test condition

- Acoustic tubing: 10.0mm of 1.0mm diameter tubing
- Acoustic coupler: IEC711 coupler
- Constant voltage drive: 0.12V RMS
- Environment: 23°C, RH 50%

#### Acoustic Parameter I

Test Item		Nominal	Tolerance	Comments
Sensitivity(dB)	@20Hz	118.5	+/- 3.0	
	@200Hz	117	+/- 3.0	
	@500Hz	113.5	+/- 3.0	
	@1000Hz	112.5	+/- 3.0	
Peak1	Frequency (Hz)	2500	+/- 350	
	SPL(dB)	120.5	+/- 3.0	
Peak2	Frequency (Hz)	5000	+/- 500	
	SPL(dB)	117	+/- 3.0	
Maximum output@Peak frequency (dB)		N/A	N/A	THD<10%

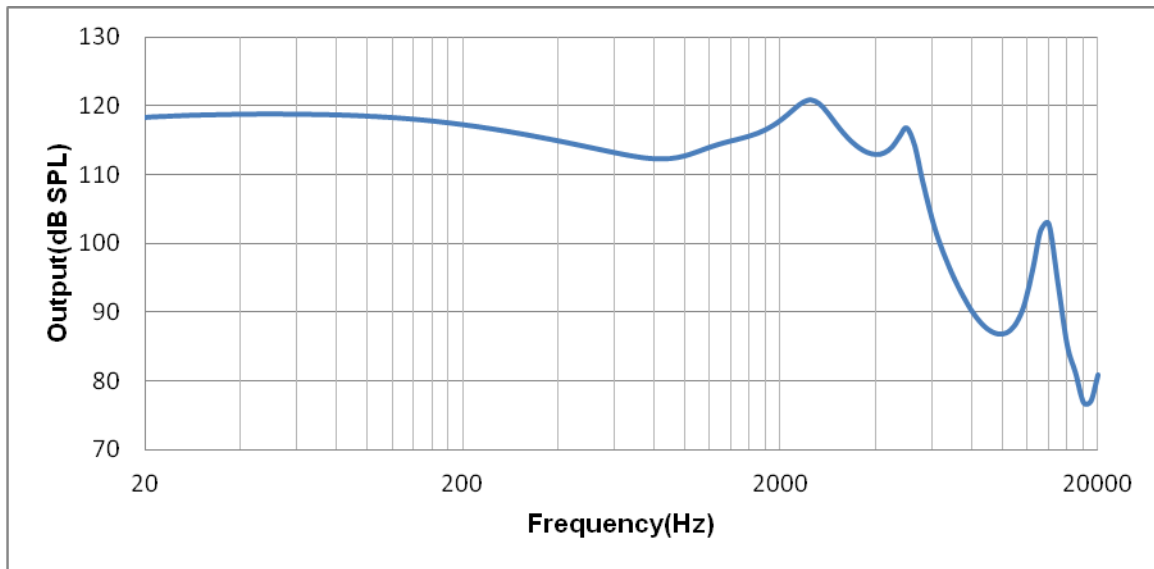
#### Acoustic Parameter II

Test Item		Nominal	Comments
THD(%)	@1/2 1 <sup>st</sup> peak	<5.0	
	@1/3 1 <sup>st</sup> peak	<5.0	

Electric Parameter

Test Item		Nominal	Tolerance	Comments
Impedance( $\Omega$ )	@500Hz	17	+/- 15%	
	@1000Hz	27	+/- 15%	
DCR( $\Omega$ )		11	+/- 10%	

Nominal Frequency Response Curve



1.5 Package and Storage Condition

- Package: PET bubble pack, 1 pcs per bubble, 60 pcs per pack
- Storage temperature range: -40°C ~ 60°C
- Storage humidity range: <60%