

Name	Security Level
BELLSING™ Hornet Series AMBA Receiver	Open
Version	A Total of 4 Pages
REV A	

BRC305C90012

Product Data Sheet

Prepared by:	Zoe Wang	Date:	2017-12-18
Auditor:		Date:	
Approver:		Date:	



Shenzhen Bellsing Acoustic Tech. Co., Ltd.

BRC305C90012 AMBA receiver

1.1 Description

Miniature balanced-armature receiver with stainless steel case for using in CIC (Complete In the Canal) and IIC (Invisible In the Canal) applications with standard response, can also be used in commercial hearing devices, headset applications.

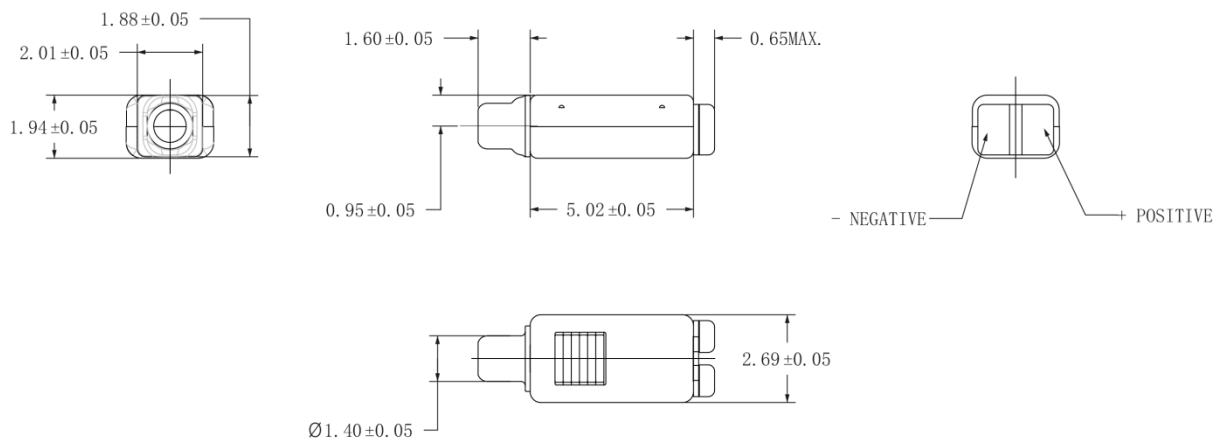
Name:	Hornet Series AMBA Receiver
Part Number:	BRC305C90012 REV A

1.2 Construction Specification



Weight: 0.09 g

Mechanical dimension: please refer to the drawing below



*A positive voltage applied to the negative terminal (-) will result in an increase in pressure at the sound outlet.

1.3 Features&Benefits

- Perfect package size for CIC, IIC applications, headset applications
- Ideal choice of tweeter
- Outstanding efficiency
- Substantial maximum output
- Optimized mechanical shock resistance

1.4 Electro-acoustic Specifications

Test condition

- Acoustic tubing: 10.0 mm of 1.0 mm diameter tubing
- Acoustic coupler: IEC711 coupler
- Constant voltage drive: 0.094 V RMS
- Environment: 23 °C, RH 50%

Acoustic Parameter I

Test Item		Nominal	Tolerance	Comments
Sensitivity(dB)	@ 200Hz	93.0	+/- 3.0	
	@ 500Hz	93.0	+/- 3.0	
	@ 1000Hz	94.5	+/- 3.0	
Peak 1	Frequency (Hz)	4000	+/- 350	
	SPL (dB)	115.5	+/- 3.0	
Peak 2	Frequency (Hz)	6700	+/- 500	
	SPL (dB)	114	+/- 3.0	
Maximum output @ peak frequency (dB)		125.0	N/A	THD<10%

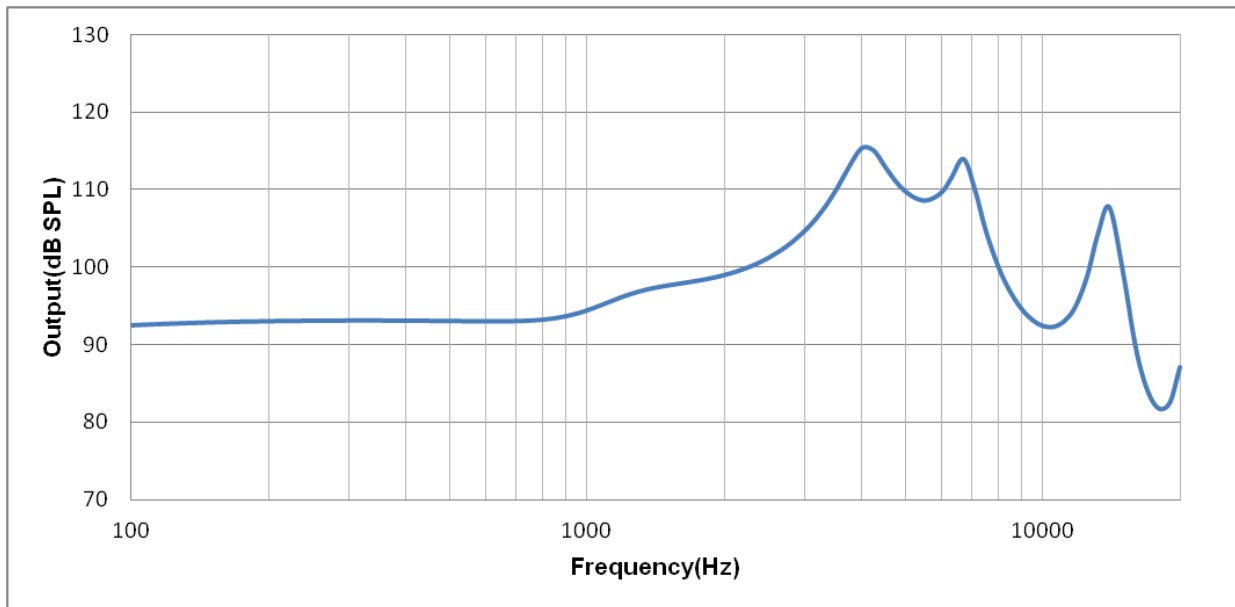
Acoustic Parameter II

Test Item		Nominal	Comments
THD (%)	@ 1/2 1st peak	< 5.0	
	@ 1/3 1st peak	< 5.0	
	@ 500 Hz	< 5.0	

Electric Parameter

Test Item	Nominal	Tolerance	Comments
Impedance (ohm)	@ 500Hz	13.5	+/- 15%
	@ 1000Hz	14	+/- 15%
DCR (ohm)	12.5	+/- 10%	

Nominal Frequency Response Curve



1.5 Package and Storage Condition

- Package: PET bubble pack, 1 pcs per bubble, 100 pcs per pack
- Storage temperature range: -40°C ~ 60°C
- Storage humidity range: <60%