

Name	Security Level
BELLSING™ Hornet Series AMBA Receiver	Open
Version	A Total of 4 Pages
REV A	

BRC330C90022

Product Data Sheet

Prepared by: Zoe

Date: 2018-01-19

Auditor:

Date:

Approver:

Date:



Shenzhen Bellsing Acoustic Tech. Co., Ltd.

BRC330C90022 AMBA receiver

1.1 Description

Advanced Miniature balanced-armature (AMBA) receiver with magnetic-radiation shielding for use in ITE (In The Ear) , CIC (Complete In the Canal) and IIC (Invisible In the Canal) , headset applications with standard response.

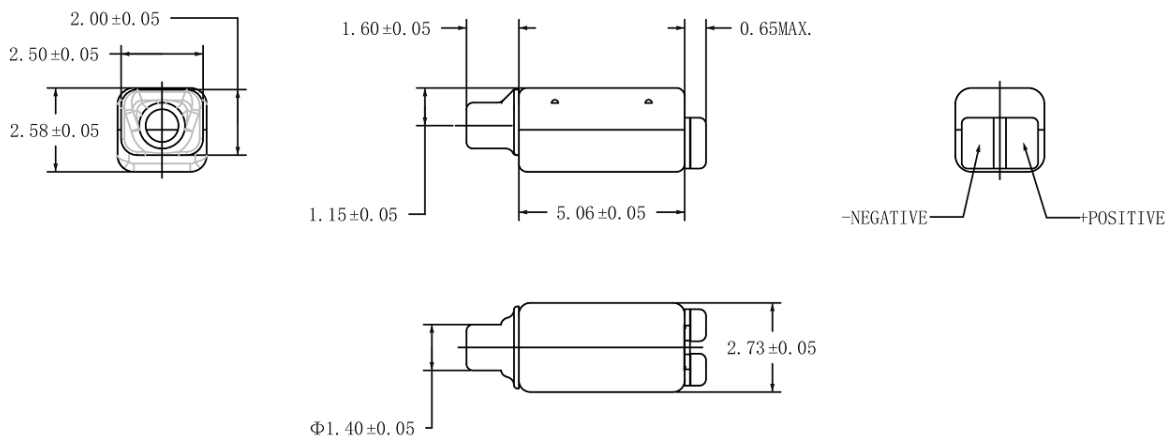
Name:	Hornet Series AMBA Receiver
Part Number:	BRC330C90022 REV A

1.2 Construction Specification



Weight: 0.16g

Mechanical dimension: please refer to the drawing below



*A positive voltage applied to the negative terminal (-) will result in an increase in pressure at the sound outlet.

1.3 Features & Benefits

- Perfect package size for RIC/CIC/IIC , headset applications
- Outstanding efficiency
- Substantial maximum output
- Magnetic-radiation shielded
- Optimized mechanical shock resistance

1.4 Electro-acoustic Specifications

Test condition

- Acoustic tubing: 10.0mm of 1.0mm diameter tubing
- Acoustic coupler: IEC711 coupler
- Constant voltage drive: 0.115V RMS
- Environment: 23°C, RH 50%

Acoustic Parameter I

Test Item		Nominal	Tolerance	Comments
Sensitivity(dB)	@200Hz	100	+/- 3.0	
	@500Hz	99	+/- 3.0	
	@1000Hz	98.5	+/- 3.0	
Peak1	Frequency (Hz)	3000	+/- 350	
	SPL(dB)	114.5	+/- 3.0	
Peak2	Frequency (Hz)	5600	+/- 500	
	SPL(dB)	106	+/- 3.0	
Maximum output@Peak frequency (dB)		124	N/A	THD<10%

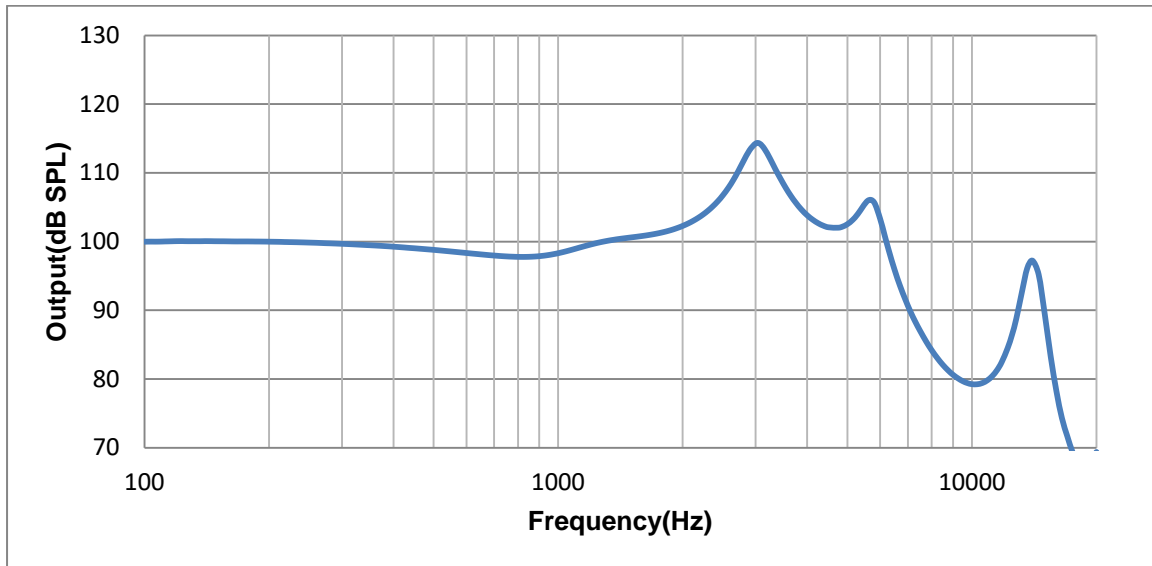
Acoustic Parameter II

Test Item		Nominal	Comments
THD(%)	@1/2 1 st peak	<5.0	
	@1/3 1 st peak	<5.0	
	@500Hz	<5.0	

Electric Parameter

Test Item	Nominal	Tolerance	Comments
Impedance(Ω)	@500Hz	30.5	+/- 15%
	@1000Hz	41.5	+/- 15%
DCR(Ω)	22.0	+/- 10%	

Nominal Frequency Response Curve



1.5 Package and Storage Condition

- Package: PET bubble pack, 1 pcs per bubble, 100 pcs per pack
- Storage temperature range: -40°C ~ 60°C
- Storage humidity range: <60%